



Pressure Gauge

An ISO 9001:2008 Certified Company



Steam Distribution | Steam Generation | Customized Package Solution | Steam Accessories | Steam Services

Pressure Gauge

VOLFRAM offers high quality Bourdon tube pressure gauges with complete Stainless steel body & internals for accurate measurement of pressures, suitable for various media applications.



Applications

- For gaseous and liquid aggressive media that are not highly viscous or crystallizing, also in aggressive ambience
- CDA (clean dry air) applications
- Indication of failure alarm on gas cylinders
- Machine building and general plant construction
- Pressure Gauges are most commonly used on media like Steam, Water, Hot Oil, Compressed Air.

Features

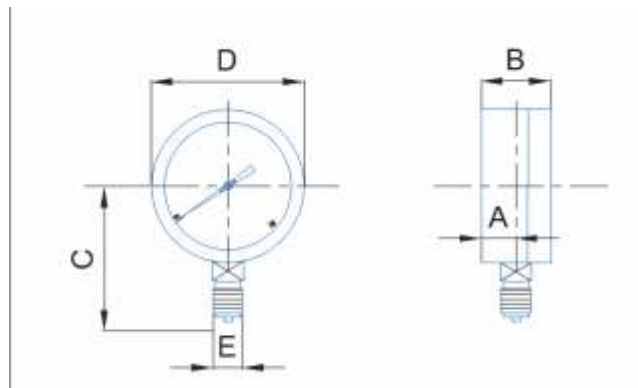
- All stainless steel (SS316) construction
- Cost-effective and reliable
- Highly Robust & Accurate
- Design as per EN 837-1

Standard version Process connection

- Stainless steel, lower mount (LM) , 15mm crewed BSP.
- Standard Scales Available in : kg/cm² & PSI

Dimensional Details

Dial Size	A	B	C	D	E
100 mm	24.5	49	82	108	22
150 mm	55	110	125	194	22
200 mm	55	110	171.5	287	22



Volfram Boiler and Steam Accessories



Steam Boilers



Condensate Recovery System



Rotating Plug Float Trap



Auto Boiler Blow down System



Flow Meter



SS Safety Valve



Non Return Valve



Steam Injector



Control Valve